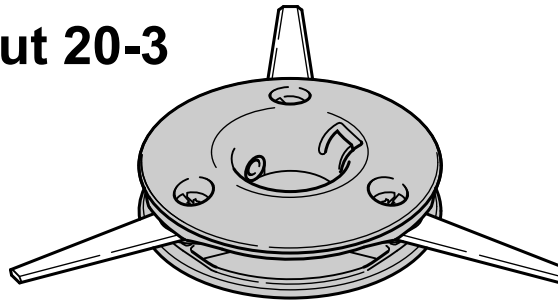
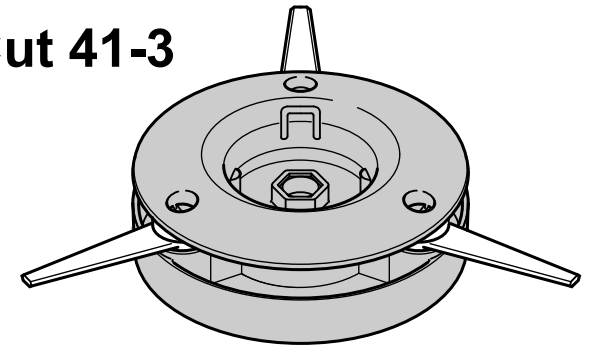


PolyCut 20-3



PolyCut 41-3



<p>1</p> <p>(PolyCut 20-3)</p>	<p>2</p> <p>(PolyCut 20-3)</p>	<p>3</p>										
<p>1</p>	<p>2</p> <table border="1"> <thead> <tr> <th></th> <th>PolyCut 20-3</th> <th>PolyCut 41-3</th> </tr> </thead> <tbody> <tr> <td>A</td> <td>2,0 mm 0.095 in.</td> <td>2,7 mm 0.105 in.</td> </tr> <tr> <td>B</td> <td>280 mm 11 in.</td> <td>400 mm 16 in.</td> </tr> </tbody> </table>		PolyCut 20-3	PolyCut 41-3	A	2,0 mm 0.095 in.	2,7 mm 0.105 in.	B	280 mm 11 in.	400 mm 16 in.	<p>3</p>	<p>4</p>
	PolyCut 20-3	PolyCut 41-3										
A	2,0 mm 0.095 in.	2,7 mm 0.105 in.										
B	280 mm 11 in.	400 mm 16 in.										